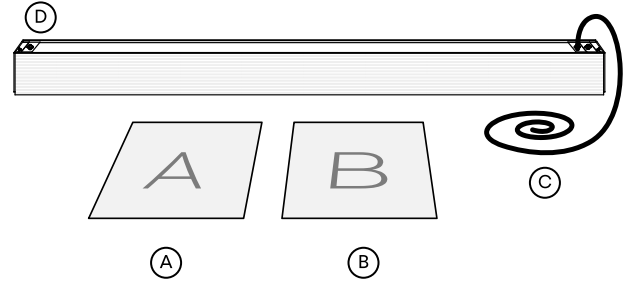


1 BEFORE YOU START

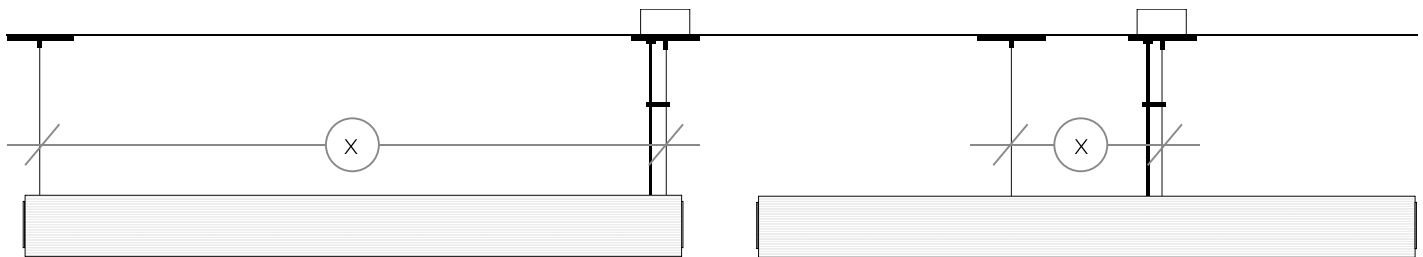
- Keep fixture in protective packaging until ready to install.
- Do not bend the fixture. Use minimum of 2 people to support fixtures during install.
- Installation must be performed by a licensed electrician familiar with all local codes and relevant site requirements. Site conditions suitable for the specified product and adherence to code are the responsibility of installer.
- Follow the installation instructions provided. Failure to follow provided installation instructions could result in product damage or failure.
- Before installing, inspect fixture, power wire, and suspension cord for any damage that may have occurred during transport and unpacking. Do not install damaged product or components.
- To avoid electric shock, always disconnect power at electrical panel when installing or servicing fixture
- Ceiling conditions, support structure, and appropriate fasteners for ceiling substrate must be adequate for fixture weight and specifications.
- It is highly recommended to handle wood products with nitrile or other non-marring gloves.
- Clean wood surfaces only with dry cloth. Do not use water, solvents, or abrasive pads as they could permanently damage the wood finish.

2 WHAT'S IN THE BOX



- Fixture (D) ships pre-assembled with specified power cable length (C) attached.
- Canopy Kit (A) Containing hardware and aircraft cable for power-feed-side ceiling connection (see detail view on page 2)
- Canopy Kit (B) containing hardware and aircraft cable for non-power-feed side ceiling connection (see detail view on page 2)

3 MOUNTING DIMENSIONS



END MOUNTING

X=46" for 4' fixture
X=57" for 5' fixture
X=70" for 6' fixture
X=94" for 8' fixture

CENTER MOUNTING

X=12" for all length fixtures



Risk of fire and electrical shock. In accordance with national and local building and electrical codes, STICKBULB lighting fixtures must be installed by a qualified electrician. Disconnect power at electrical panel before servicing.



Learn more about TREELINE on our website at stickbulb.com/treeline or contact us at orders@stickbulb.com

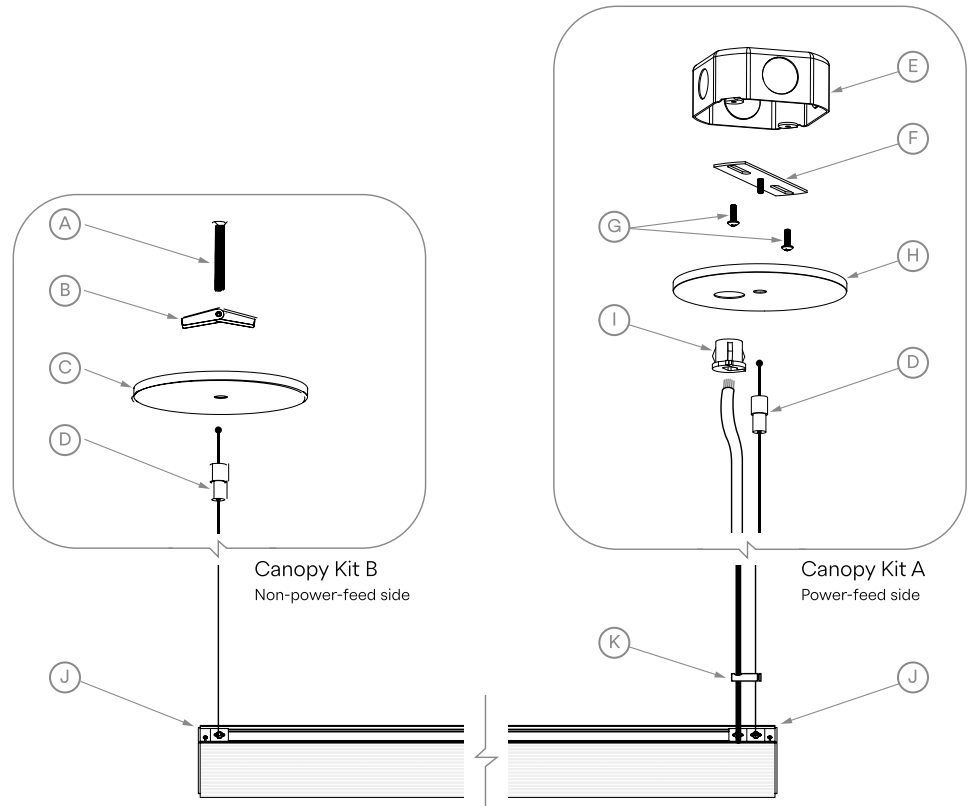
10-40 46th Ave FL2 Long Island City
stickbulb.com orders@stickbulb.com



4 LET'S HANG IT

- 4.1 Confirm mounting dimension "X" and hang height using chart in section 3. Trim power cord and aircraft cable leaving addition 6 inches for wiring.
NOTE: do not cut off ball end on aircraft cable.
- 4.2 On non-feed side, mount 1/4-20 anchor screw (A) with butterfly anchor (B) for GYP ceiling applications. On feed side, secure cross bar (F) to the junction box with Junction Box Screws (G).
- 4.3 Thread Cable Holder (K) onto power feed.
- 4.4 Run aircraft cable through Cable Coupler (D) and then Cable Holder (K).
- 4.5 Attach Power Cord Strain Relief (I) with sufficient slack to make wire connections in Junction Box (E). Snap strain relief into Feed-side canopy (H).
- 4.6 With power to the fixture circuit off, connect power cord to the power feed in Junction Box (E) and ground wire to Crossbar (F). For non-dimming installation, individually cap the dimming leads from the fixture.
(Green=Ground, White=Neutral, Black=Line, Gray stripe =0-10V INDIRECT DIM, Purple stripe=0-10V INDIRECT DIM)
- 4.7 Using 1/4-20 Anchor Screw (A) and Crossbar (F) secure canopies using Aircraft Cable Couplers (D).
- 4.8 Carefully support fixture while inserting the aircraft cable into the cable Grippers (J) on both sides of fixture.
- 4.9 Carefully support fixture while fine tuning the height and level of the fixture using the cable grippers (J) on either end of the fixture. This may require trimming aircraft cable.

- (A) Anchor Screw
- (B) Butterfly Anchor
- (C) Non-power-feed-side Canopy
- (D) Air-craft Cable Coupler
- (E) Junction Box
- (F) Crossbar with Rod and Ground Screw
- (G) Junction Box Screws
- (H) Power-feed side Canopy
- (I) Cord Strain Relief
- (J) Cable Gripper
- (K) Air-craft-cable to power-cord holder



Risk of fire and electrical shock. In accordance with national and local building and electrical codes, STICKBULB lighting fixtures must be installed by a qualified electrician. Disconnect power at electrical panel before servicing.



Learn more about TREELINE on our website at stickbulb.com/treeline or contact us at orders@stickbulb.com

10-40 46th Ave FL2 Long Island City
stickbulb.com orders@stickbulb.com

