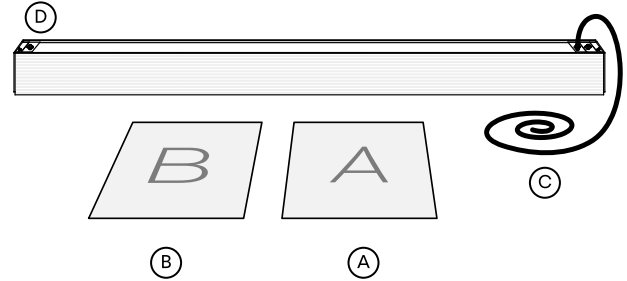


TREELINE™ INSTALLATION GUIDE

1 BEFORE YOU START

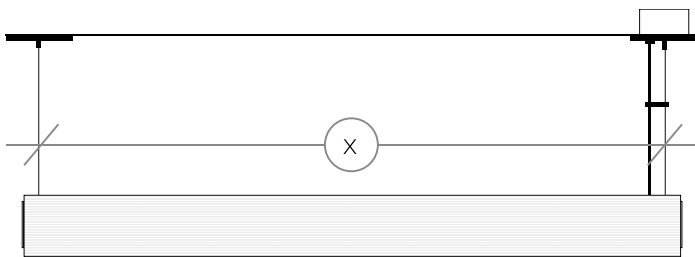
- Keep fixture in protective packaging until ready to install.
- Do not bend the fixture. Use minimum of 2 people to support fixtures during install.
- Installation must be performed by a licensed electrician familiar with all local codes and relevant site requirements. Site conditions suitable for the specified product and adherence to code are the responsibility of installer.
- Follow the installation instructions provided. Failure to follow provided installation instructions could result in product damage or failure.
- Before installing, inspect fixture, power wire, and suspension cord for any damage that may have occurred during transport and unpacking. Do not install damaged product or components.
- To avoid electric shock, always disconnect power at electrical panel when installing or servicing fixture
- Ceiling conditions, support structure, and appropriate fasteners for ceiling substrate must be adequate for fixture weight and specifications.
- It is highly recommended to handle wood products with nitrile or other non-marring gloves.
- Clean wood surfaces only with dry cloth. Do not use water, solvents, or abrasive pads as they could permanently damage the wood finish.

2 WHAT'S IN THE BOX



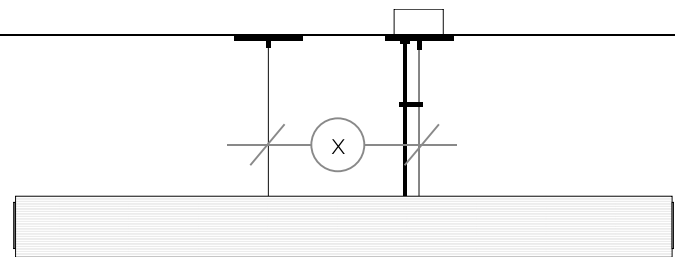
- Fixture (D) ships pre-assembled with specified power cable length (C) attached.
- Canopy Kit (A) Containing hardware and aircraft cable for power-feed-side ceiling connection (see detail view on page 2)
- Canopy Kit (B) containing hardware and aircraft cable for non-power-feed side ceiling connection (see detail view on page 2)

3 MOUNTING DIMENSIONS



END MOUNTING

- X=46" for 4' fixture
- X=57" for 5' fixture
- X=70" for 6' fixture
- X=94" for 8' fixture



CENTER MOUNTING

X=12" for all length fixtures



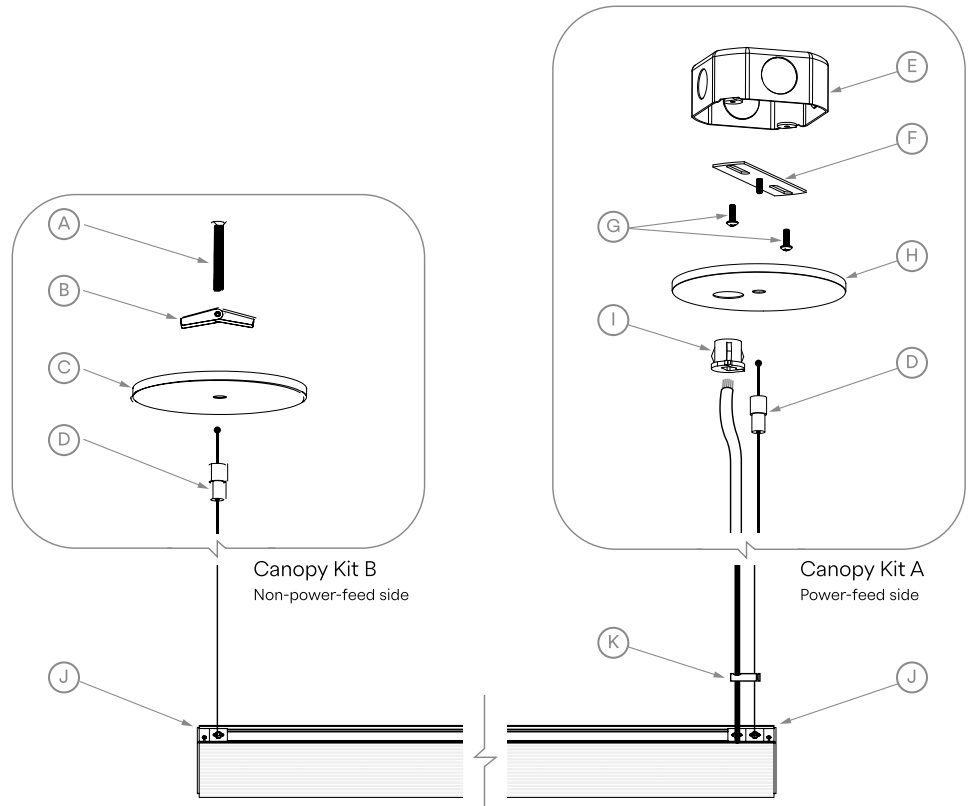
Risk of fire and electrical shock. In accordance with national and local building and electrical codes, STICKBULB lighting fixtures must be installed by a qualified electrician. Disconnect power at electrical panel before servicing.



4 LET'S HANG IT

- 4.1 Confirm mounting dimension "X" and hang height using chart in section 3. Trim power cord and aircraft cable leaving additional 6 inches for wiring.
NOTE: do not cut off ball end on aircraft cable.
- 4.2 On non-feed side, mount 1/4-20 anchor screw (A) with butterfly anchor (B) for gypsum board ceiling applications. On feed side, secure cross bar (F) to the Junction Box (E) with Junction Box Screws (G).
- 4.3 Thread Cable Holder (K) onto power feed.
- 4.4 Run aircraft cable through Cable Coupler (D) and then Cable Holder (K).
- 4.5 Attach Power Cord Strain Relief (I) with sufficient slack to make wire connections in Junction Box (E). Snap strain relief into Feed-side canopy (H).
- 4.6 With power to the fixture circuit off, connect power cord to the power feed in Junction Box (E) and ground wire to Crossbar (F). For non-dimming installation, individually cap the dimming leads from the fixture.
(Green=Ground, White=Neutral, Black=Line, Gray stripe = DIRECT DIM -, Purple stripe= DIRECT DIM +)
- 4.7 Secure both canopies to the ceiling by threading Aircraft Cable Couplers (D) onto Anchor Screw (A) and the screw on Crossbar (F).
- 4.8 Carefully support fixture while inserting the aircraft cable into the cable Grippers (J) on both sides of fixture.
- 4.9 Carefully support fixture while fine tuning the height and level of the fixture using the cable grippers (J) on either end of the fixture. This may require trimming aircraft cable.

- (A) Anchor Screw
- (B) Butterfly Anchor
- (C) Non-power-feed-side Canopy
- (D) Air-craft Cable Coupler
- (E) Junction Box
- (F) Crossbar with Rod and Ground Screw
- (G) Junction Box Screws
- (H) Power-feed side Canopy
- (I) Cord Strain Relief
- (J) Cable Gripper
- (K) Air-craft-cable to power-cord holder

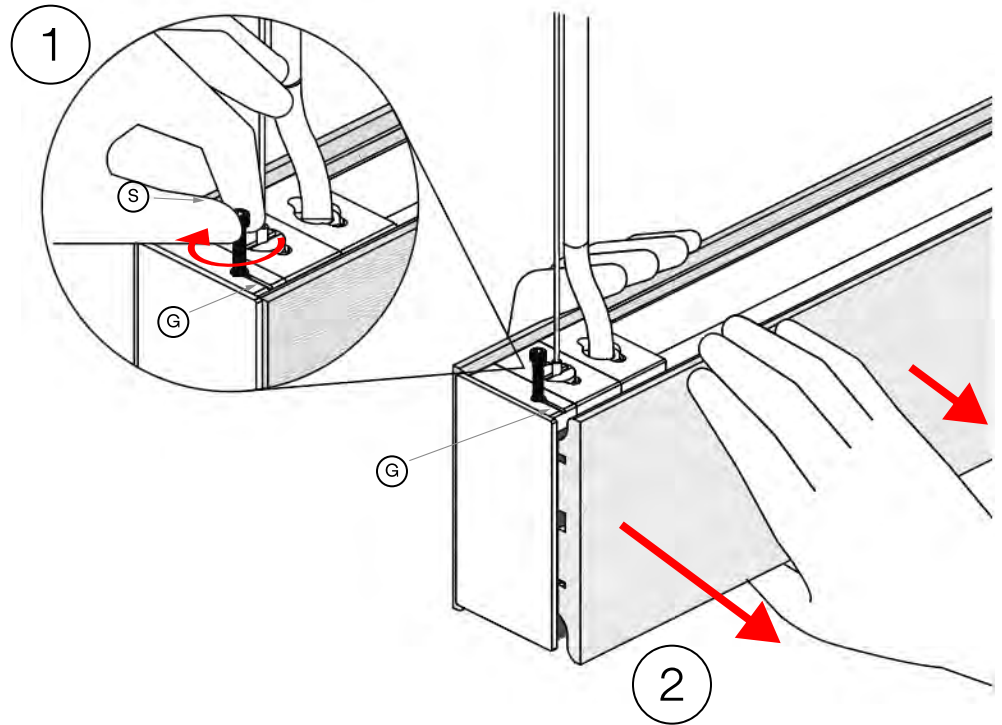


Risk of fire and electrical shock. In accordance with national and local building and electrical codes, STICKBULB lighting fixtures must be installed by a qualified electrician. Disconnect power at electrical panel before servicing.



TREELINE™ MAINTENANCE

TREELINE's patent-pending Future Proof Panel opens without tools to provide clear visibility and access to all electrical components and wiring connections, ensuring easy maintenance, repair, and end-of-life processing.

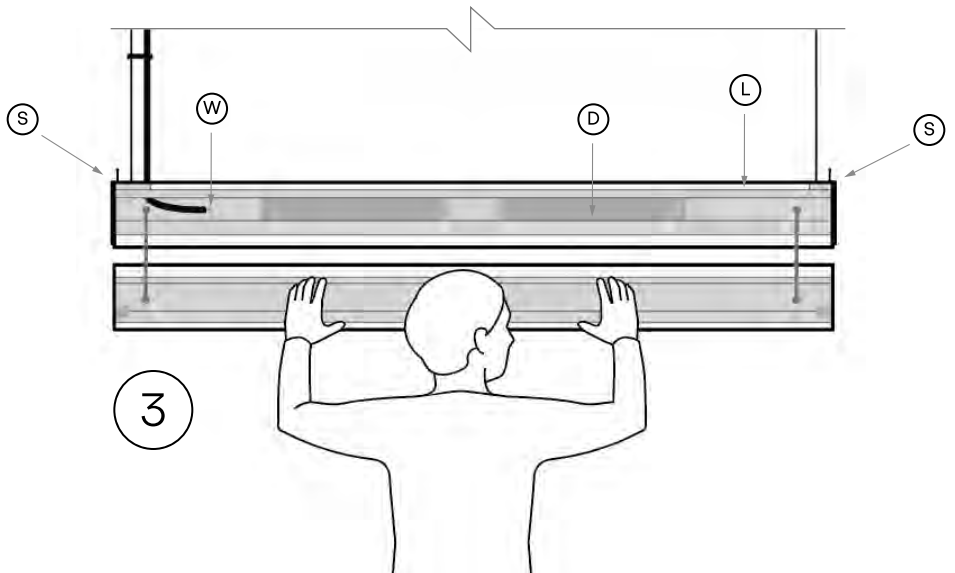


1 LOOSEN SET SCREWS
Loosen both set screws (S) at either end of the fixture so that 1/2 inch of the screw is visible above the top of the fixture. If the set screw is too tight to loosen by hand, use 3/32 HEX Key.

2 PULL OPEN SIDE DOOR
Groove (G) points towards the removable side panel. Firmly grip the side panel near one end of the fixture as drawn while bracing the fixture firmly in your other hand. Pull open the side panel first at the corner, and then along the attachment points along the full length of the fixture. The panel is connected by lanyards so it will not fall. For fixtures longer than 4' it is helpful to have two people for this step.

To close side door make sure there are no wire or lanyard obstructions while aligning the side panel back into place. First ensure the alignment of the panel with one end of the fixture and snap into place before closing the full length of the fixture.

3 ACCESS LEDS + DRIVERS
Once the side panel is open you will have easy access to the wiring (W), Drivers (D), and LED boards (L). Internal components vary based on product configuration.



QUESTIONS?
Please contact us at +1 (347) 460-2852



Risk of fire and electrical shock. In accordance with national and local building and electrical codes, STICKBULB lighting fixtures must be installed by a qualified electrician. Disconnect power at electrical panel before servicing.

