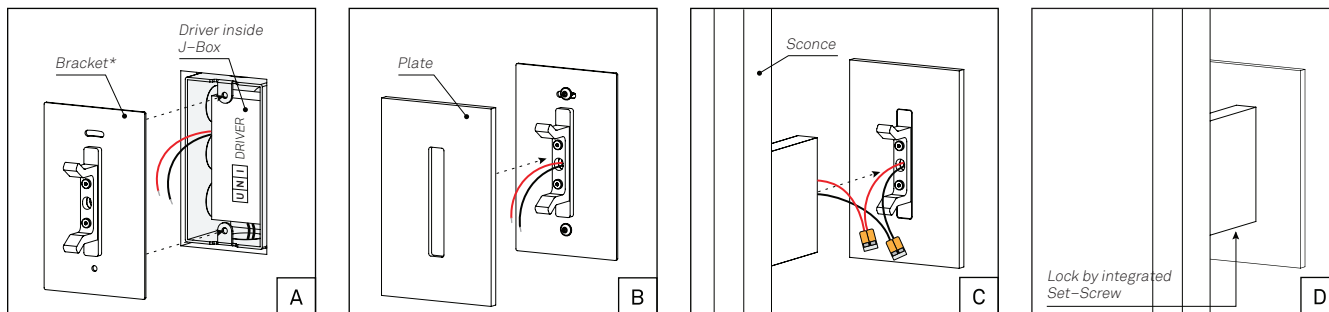
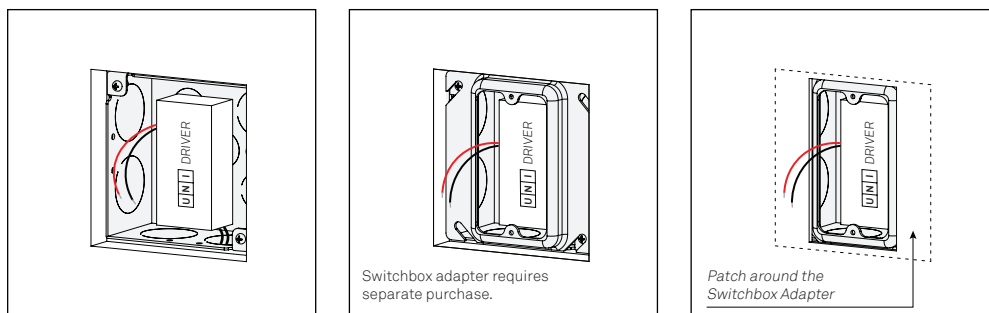


**UNI J-BOX MOUNTING FOR 2"x4" SWITCHBOX – BACK PLATE REQUIRED**



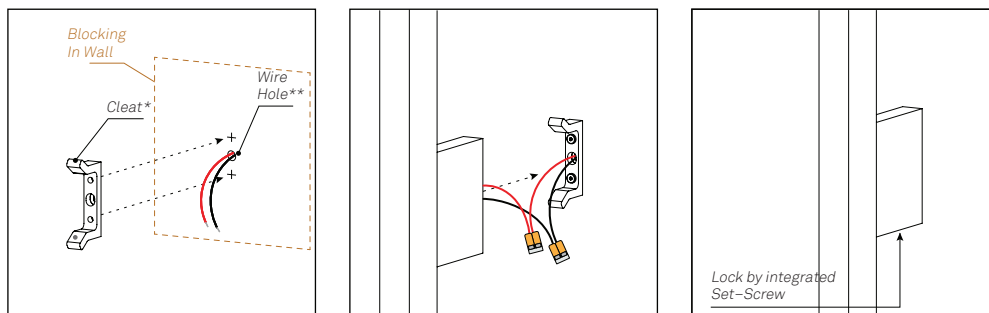
**UNI J-BOX MOUNTING FOR 4"x4" JUNCTION BOX – BACK PLATE REQUIRED**

+ 2"x4" Switchbox Adapter (sold separately) must be installed before proceeding with steps A - D above



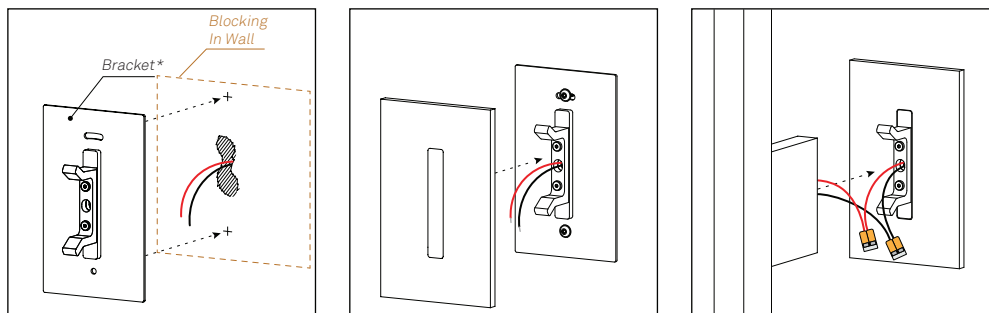
**REM DIRECT-WALL MOUNTING – NO BACK PLATE**

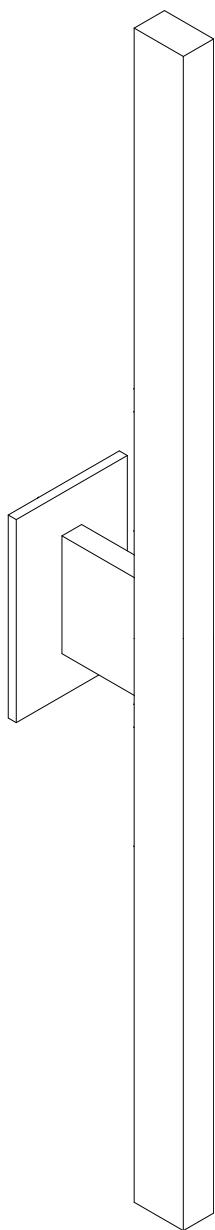
+ Remote driver application only  
+ Requires blocking in wall  
+ Cleat mounts directly to wall  
+ Guideline Template provided  
+ Wire hole: Drill max  $\phi 1/4"$  to ensure hole is covered by cleat



**REM DIRECT-WALL MOUNTING – WITH BACK PLATE**

+ Remote driver application only  
+ Requires blocking in wall  
+ Bracket mounts directly to wall  
+ Guideline Template provided

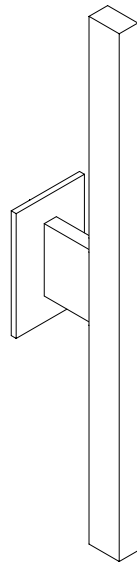




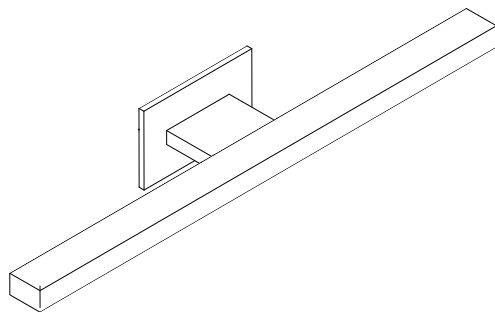
## RAY SCONCE

INSTALLATION INSTRUCTIONS

**UNI-J-BOX MOUNTING (2"x3" SWITCHBOX)**



Vertical Orientation Installation



Horizontal Orientation Installation

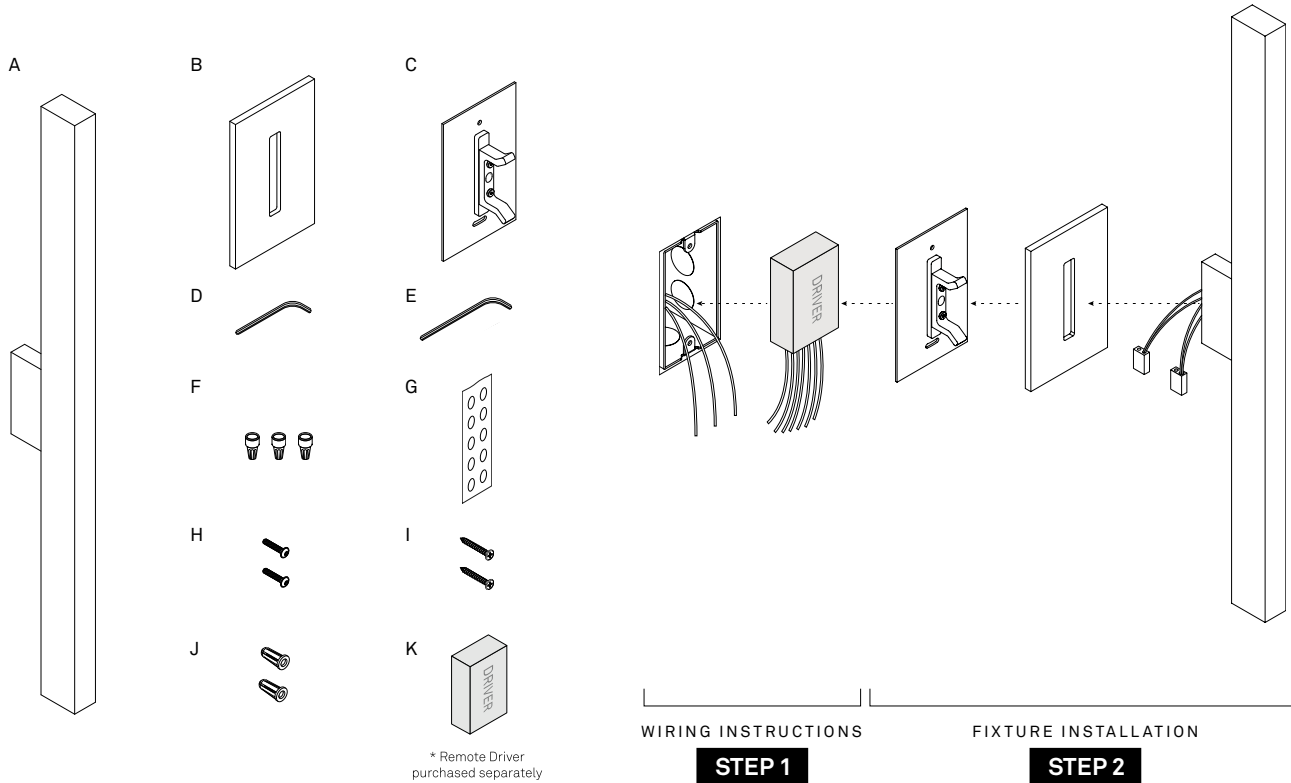
# INSTALLATION OVERVIEW

## COMPONENTS

- |                  |                       |                      |
|------------------|-----------------------|----------------------|
| A. Fixture       | E. Hex key-1/16"      | I. Drywall Screw × 2 |
| B. Plate         | F. Wire Nut × 3       | J. Wall anchor × 2   |
| C. Bracket       | G. Shim Stickers      | K. Remote Driver     |
| D. Hex key-5/64" | H. Mounting Screw × 2 |                      |

## INSTALLATION OVERVIEW

Illustration shows an overview of mounting a vertically-oriented Ray Sconce fixture to a J-Box with Plate. Installation steps are the same for horizontally-oriented fixture.



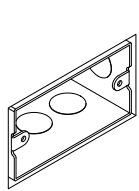
**WIRING INSTRUCTIONS**  
**STEP 1**

**FIXTURE INSTALLATION**  
**STEP 2**

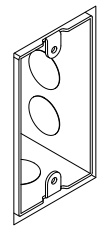
\* For remote located driver application only

## FIXTURE ORIENTATION NOTE

The orientation of Ray Sconce fixture is determined by the orientation of the J-Box pre-installed in the wall. For example, if the J-Box is pre-installed horizontally, the fixture must be oriented horizontally.



J-Box installed horizontally for horizontally oriented fixture



J-Box installed vertically for vertically oriented fixture

**Switchbox Adapter for 4"×4" J-Box**

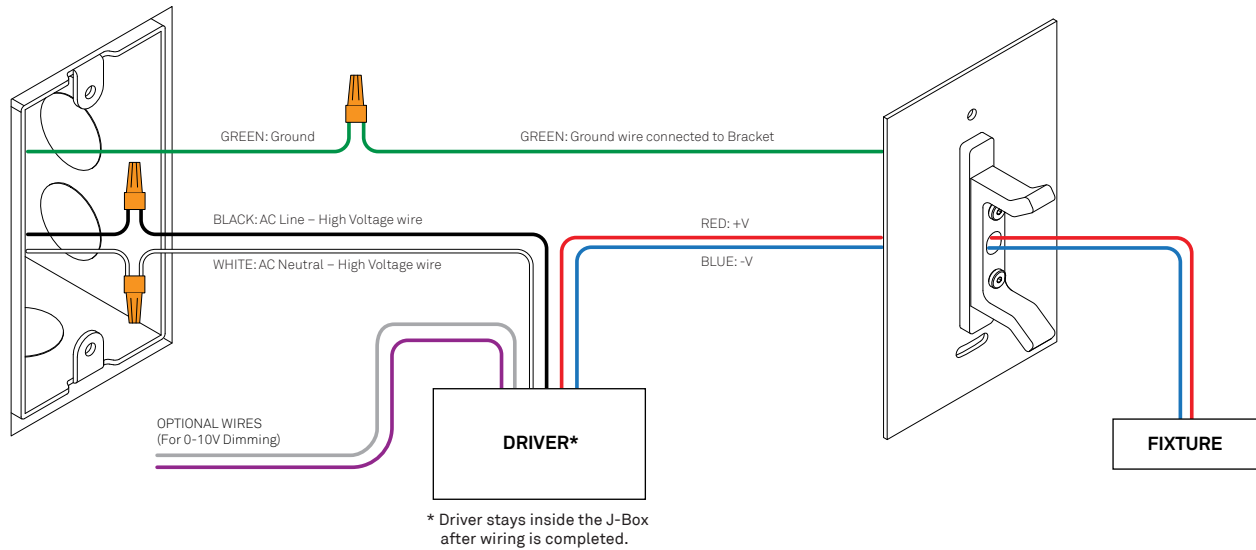
Ray Sconce can be mounted onto a 4"×4" J-Box using a Switchbox adapter\*.

\* Switchbox adapter requires separate purchase.

**STEP 1**

**WIRING INSTRUCTIONS**

**CAUTION**  
 Always make sure the building power is disconnected prior to making any connections. Installation should be done only by a certified electrician.



**1.1** **Connect the AC Wires using the Wire Nuts (F)**  
 Make the white, black, and green connections from Driver to the main power supply using Wire Nuts. Tuck the Driver and the connected Wire Nuts into the J-Box.

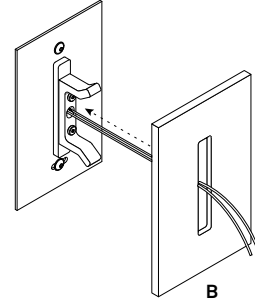
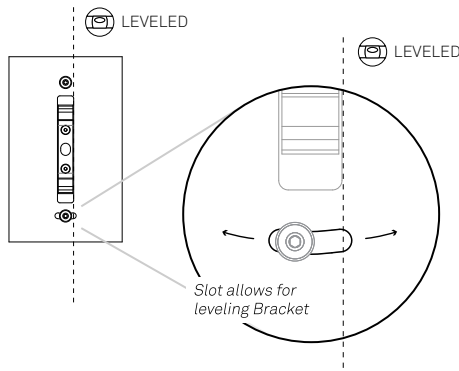
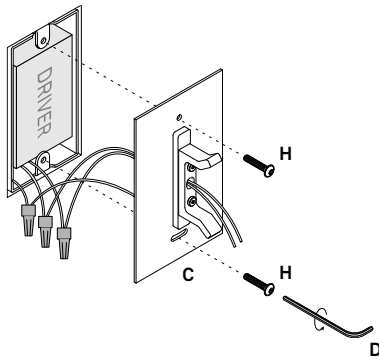
**1.2** **Manage the 0–10V Dimming Wires**

- A. For ELV & TRIAC Dimming Wiring**  
 If you don't need the 0–10V Dimming Wires, please clip the Grey & Purple wires and wrap the ends with electrical tape. DO NOT attach the 0–10V dimming wires to line voltage wire.
- B. For 0–10V Dimming Wiring**  
 Make the Grey & Purple connections from the driver to the corresponding wires from your 0–10V Dimmer Switch.

**STEP 2**

FIXTURE INSTALLATION

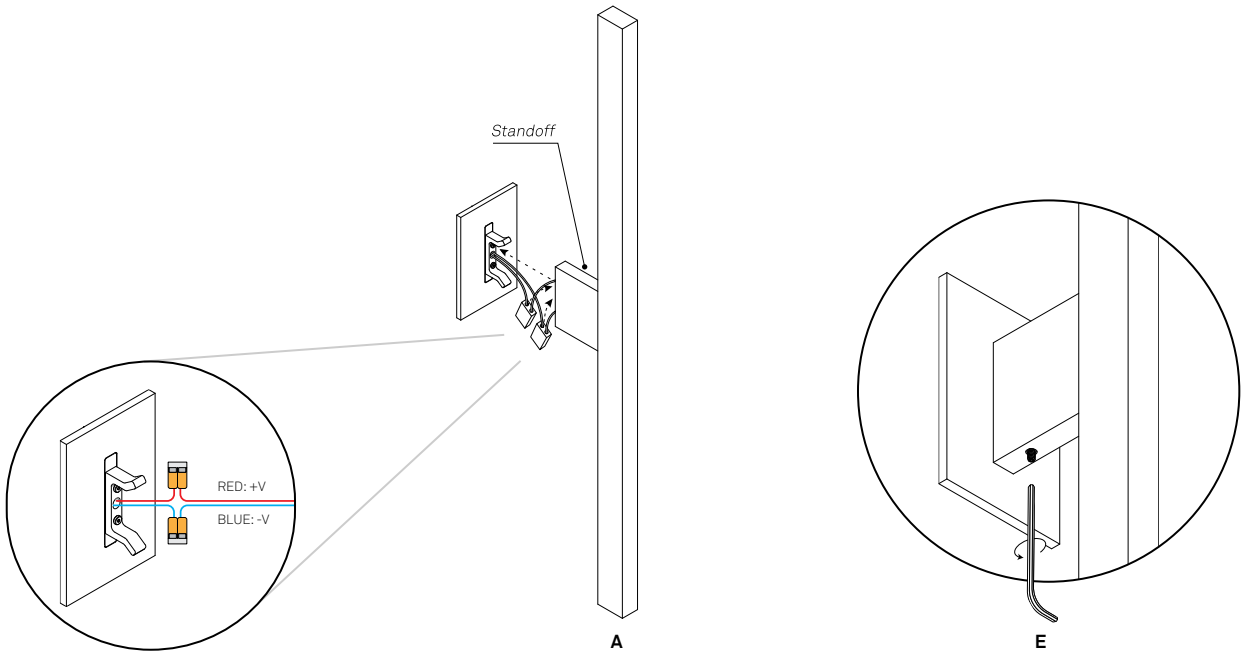
NOTE: Illustrations show steps for vertically-mounted J-Box with Plate. Installation steps are the same for horizontally-oriented fixture.



**2.1** Mount Bracket using Mounting Screws (H) and Hex Key-5/64" (D)  
Before mounting Bracket, place the driver inside the J-Box and fish the Wires through the center hole of Bracket.

**2.2** Level Bracket and Tighten the Screw  
The slot allows leveling Bracket without leveling the J-Box. Loosen and retighten the Screw (shown above) for finetuning.

**2.3** Slide Cover onto Bracket



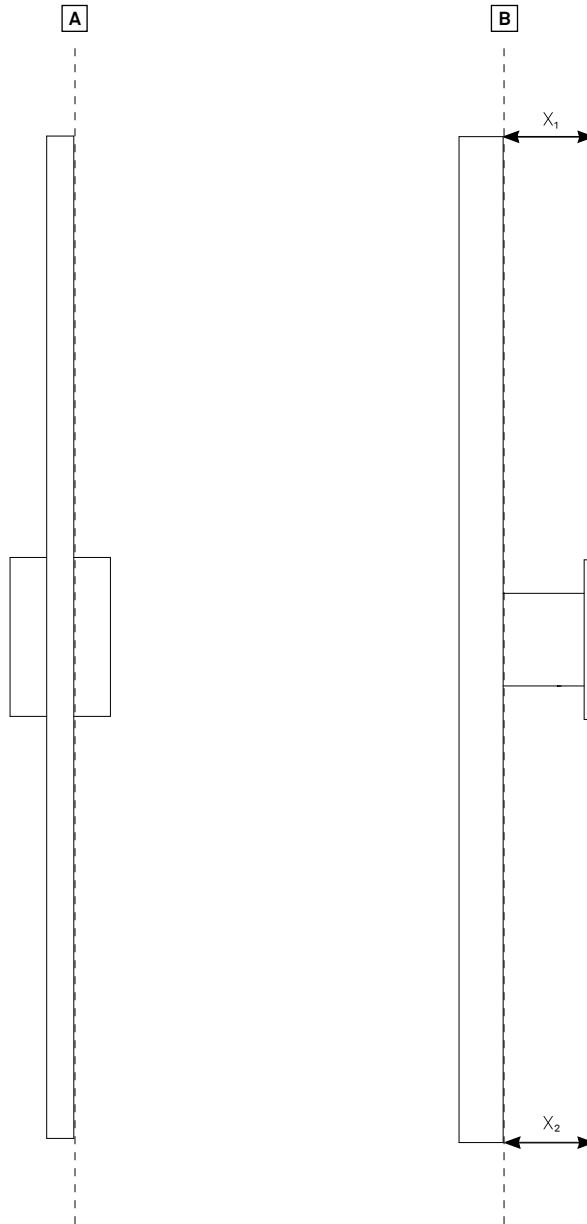
**2.4** Connect the DC Wires using the Lever Nuts  
Use the provided Lever Nuts (pre-attached to the fixture) to make the DC connections. Match the red/blue wires coming from the fixture to the respective red/blue wires coming from the Driver inside the J-Box.

**2.5** Slide the fixture onto Bracket/Cleat  
Tuck the Lever Nuts and wires into Standoff while mounting the fixture onto Bracket/Cleat. Go to Fixture Leveling on Page 4.

**2.6** Tighten the Set Screw using Hex Key -1/16" (E) to lock the Fixture

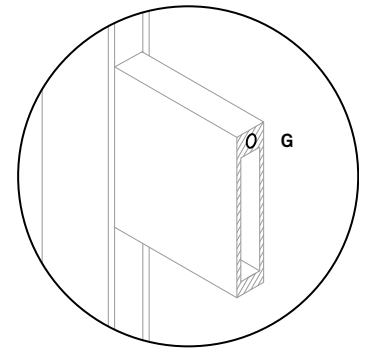
## FIXTURE LEVELING

NOTE: Illustrations show steps for vertically-mounted J-Box with Plate. Installation steps are the same for horizontally-oriented fixture.

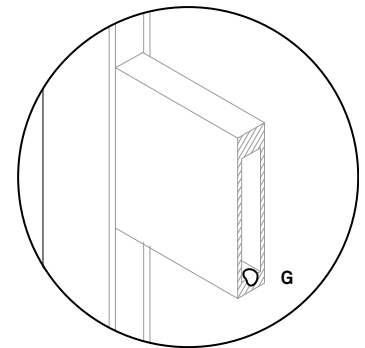


**LEVELING TOLERANCE**  
 $X_1 = X_2 \quad (\pm 0.1")$

**Increasing  $X_1$**   
Shim Stickers (G) are applied to the side of Standoff closer to  $X_1$ , thus adding distance to  $X_1$ .



**Increasing  $X_2$**   
Shim Stickers (G) are applied to the side of Standoff closer to  $X_2$ , thus adding distance to  $X_2$ .

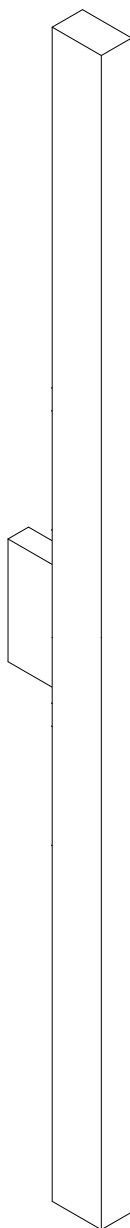


### FRONT VIEW LEVELING

**A** Use your Leveling tool; lightly nudge the fixture until leveled.

### SIDE VIEW LEVELING

**B** Use your Measuring tool to equalize the 2 distances between the tips of the fixture to the wall. ( $X_1$  &  $X_2$ ). Shim Stickers are provided (G); apply these onto the back of Standoff until leveled.

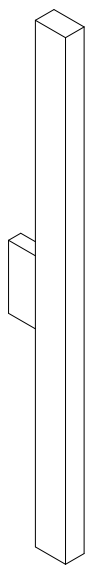


## RAY SCNCE

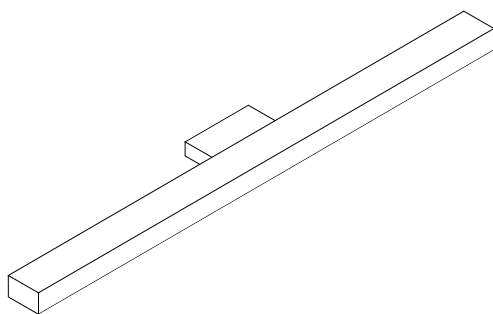
INSTALLATION INSTRUCTIONS

**REM DIRECT WALL MOUNTING (NO PLATE)**





Vertical Orientation Installation

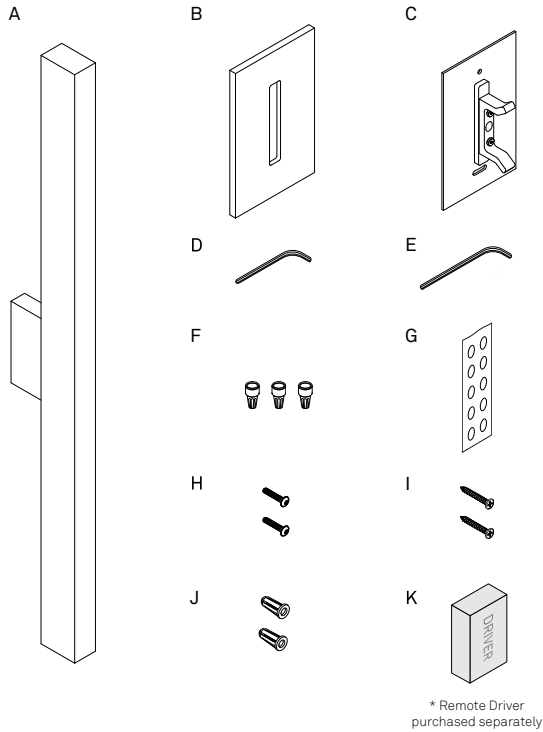


Horizontal Orientation Installation

# INSTALLATION OVERVIEW

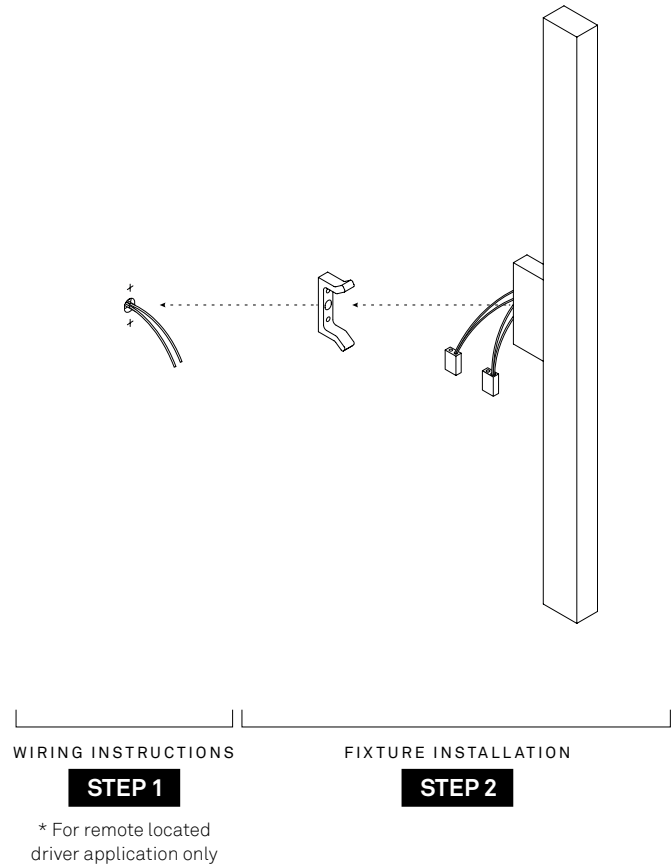
## COMPONENTS

- |                  |                       |                      |
|------------------|-----------------------|----------------------|
| A. Fixture       | E. Hex key-1/16"      | I. Drywall Screw × 2 |
| B. Plate         | F. Wire Nut × 3       | J. Wall anchor × 2   |
| C. Bracket       | G. Shim Stickers      | K. Remote Driver     |
| D. Hex key-5/64" | H. Mounting Screw × 2 |                      |



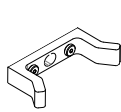
## INSTALLATION OVERVIEW

Illustration shows an overview of mounting a vertically-oriented Ray Sconce fixture to the wall with no Plate. Installation steps are the same for horizontally-oriented fixture.

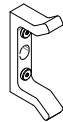


## FIXTURE ORIENTATION NOTE

The orientation of Ray Sconce is determined by the orientation of Cleat to be mounted onto the wall. For example, if Cleat is mounted horizontally, the fixture must be oriented horizontally.



Cleat installed horizontally for horizontally oriented fixture



Cleat installed vertically for vertically oriented fixture

**Bracket Disassembly Required**  
 For this mounting method, Cleat must be disassembled from Bracket Assembly.

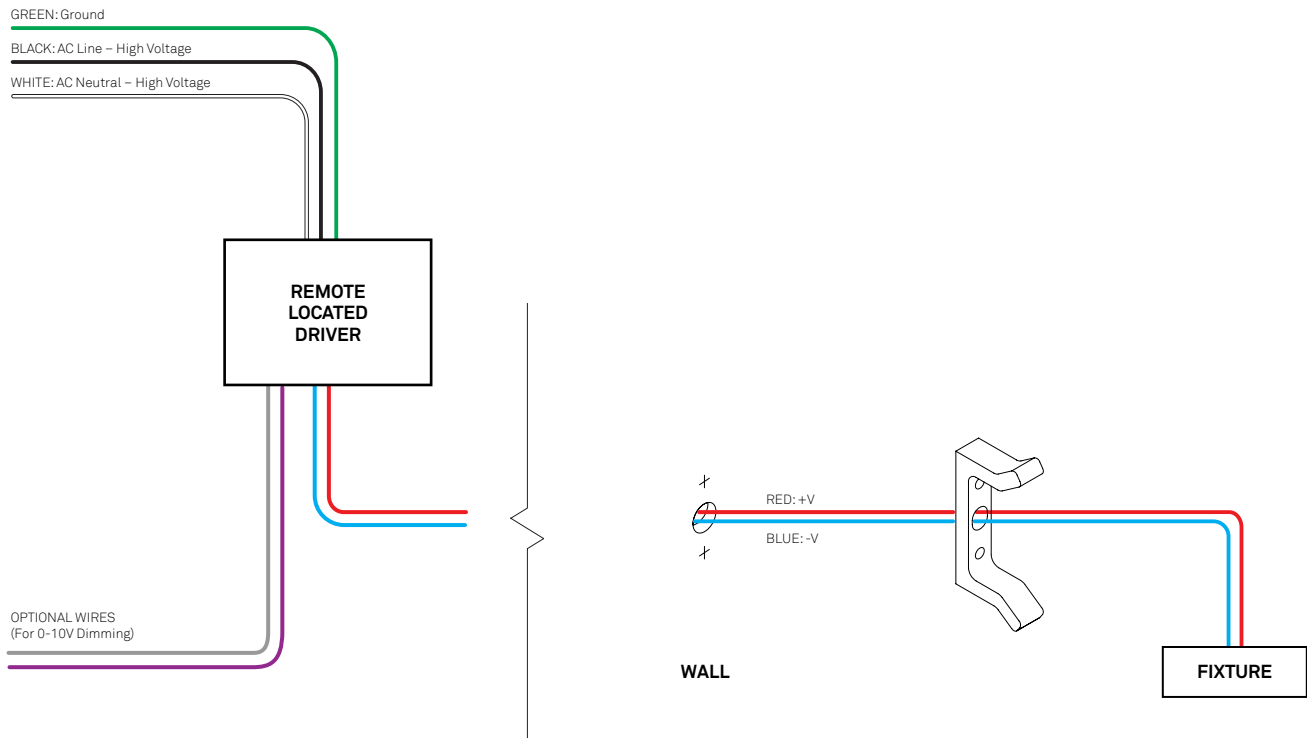
**1** Undo the Nuts on the backside of Bracket using the Hex Key-5/64" (D)

**2** Separate Cleat from Bracket

**STEP 1**

# WIRING INSTRUCTIONS

**CAUTION**  
Always make sure the building power is disconnected prior to making any connections. Installation should be done only by a certified electrician.

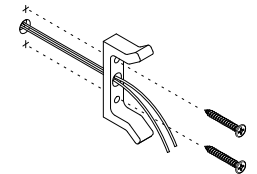
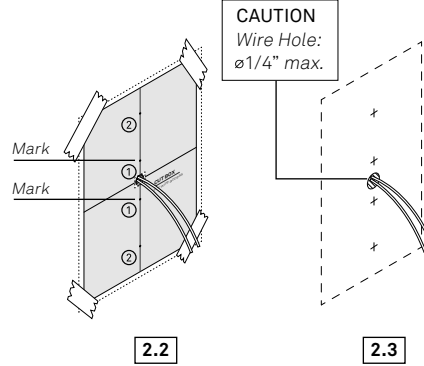
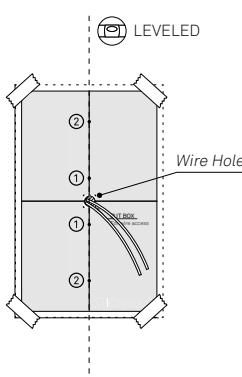


- 1.1** Verify Remote Located Driver (K) Installation  
Make sure the Remote Located Driver\* is installed correctly.

**STEP 2**

## FIXTURE INSTALLATION

NOTE: Illustrations show steps for vertically-mounted fixture with no Plate. Installation steps are the same for horizontally-oriented fixture.



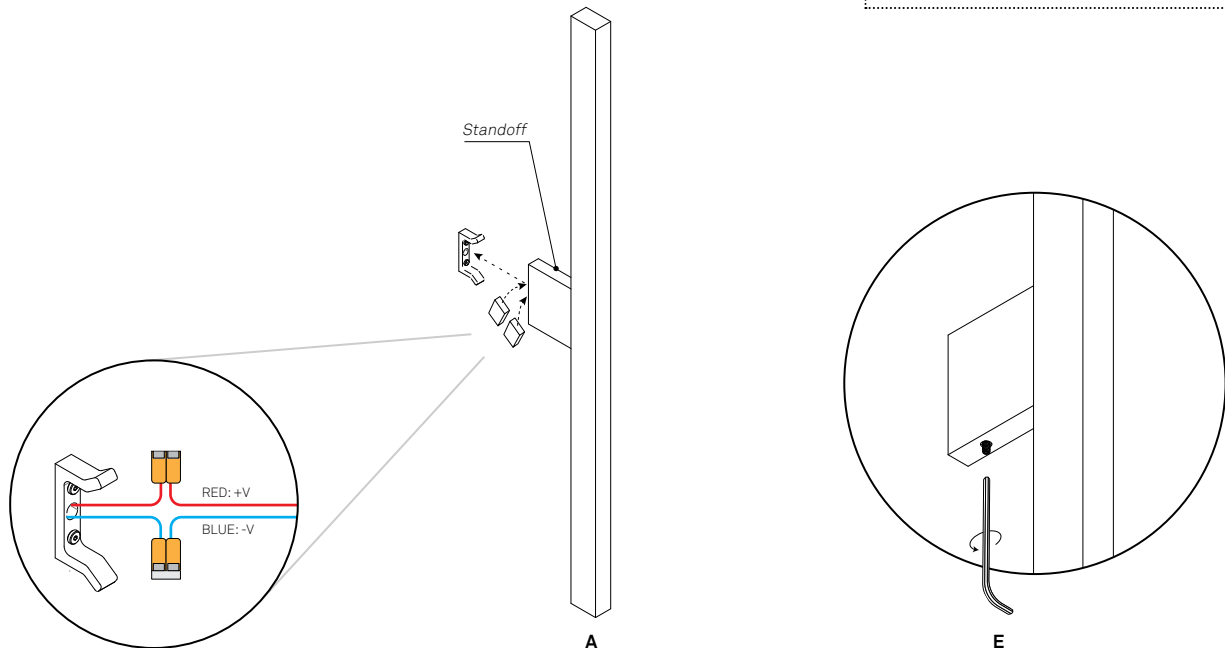
**2.1** Level and tape the Template (go to Template on Page 5) onto the wall. Align the Wire Hole cut out on the Template to the Wire Hole on the wall. Level and tape the Template to the wall.

**2.2** Mark 2 screw points ① shown on the Template

**2.3** Remove the Template and check the Wire Hole size. Please make sure the wire hole is smaller than  $\varnothing 1/4"$  so that wire hole gets covered by the Cleat. (Patch the hole if it cannot be covered by the Cleat)

**2.4** Mount Cleat using the Drywall Screws (I). Fish wires through the center hole of Cleat and mount the Screws directly to the marked screw points ①. \* Please double check leveling

**Mount Cleat using Wall Anchors (J)**  
If you are using Wall Anchors to mount, make sure they are flush to the wall to ensure Cleat sits flush to the wall. Use Mounting Screw (H) to mount Cleat.



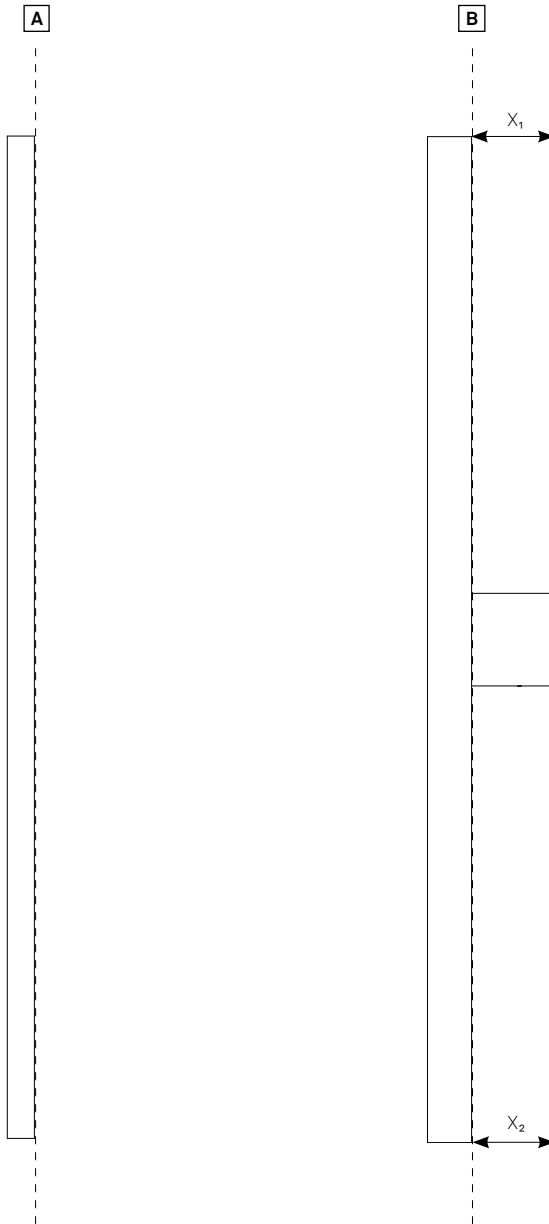
**2.5** Connect the DC Wires using the Lever Nuts. Use the provided Lever Nuts (pre-attached to the fixture) to make the DC connections. Match the red/blue wires coming from the fixture to the respective red/blue wires coming from the Driver inside the J-Box.

**2.6** Slide the fixture onto Bracket/Cleat. Tuck the Lever Nuts and wires into Standoff while mounting the fixture onto Bracket/Cleat. Go to Fixture Leveling on Page 4.

**2.7** Tighten the Set Screw using Hex Key  $-1/16"$  (E) to lock the Fixture

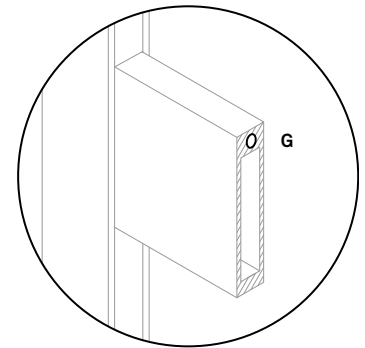
## FIXTURE LEVELING

NOTE: Illustrations show steps for vertically-mounted fixture with no Plate. Installation steps are the same for horizontally-oriented fixture.

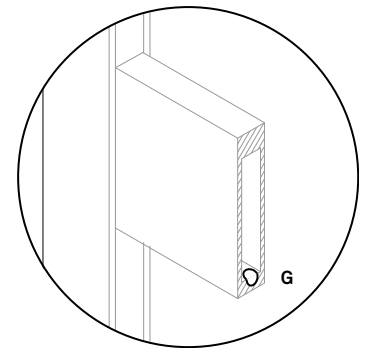


**LEVELING TOLERANCE**  
 $X_1 = X_2 \quad (\pm 0.1")$

**Increasing  $X_1$**   
 Shim Stickers (G) are applied to the side of Standoff closer to  $X_1$ , thus adding distance to  $X_1$ .



**Increasing  $X_2$**   
 Shim Stickers (G) are applied to the side of Standoff closer to  $X_2$ , thus adding distance to  $X_2$ .



### FRONT VIEW LEVELING

**A** Use your Leveling tool; lightly nudge the fixture until leveled.

### SIDE VIEW LEVELING

**B** Use your Measuring tool to equalize the 2 distances between the tips of the fixture to the wall. ( $X_1$  &  $X_2$ ). Shim Stickers are provided (G); apply these onto the back of Standoff until leveled.

# TEMPLATE

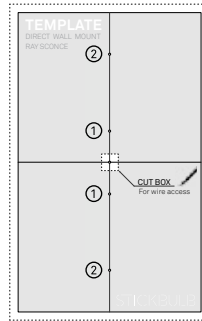
Use this Template according to the Installation Instructions from both **Direct Wall Mounting With Plate and No Plate.**

### ORIENTATION NOTE

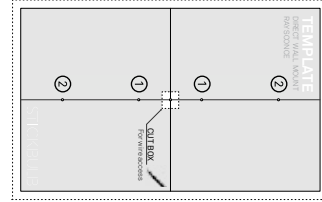
The orientation of the Template is determined by the orientation of Bracket/Cleat to be mounted onto the wall. For example, if you want fixture to be mounted horizontally, Template must be taped horizontally.

### PRINT SETTING

Print in proper ('Do Not Scale') scale.  
Do not set to 'Fit To Page' or 'Custom'.

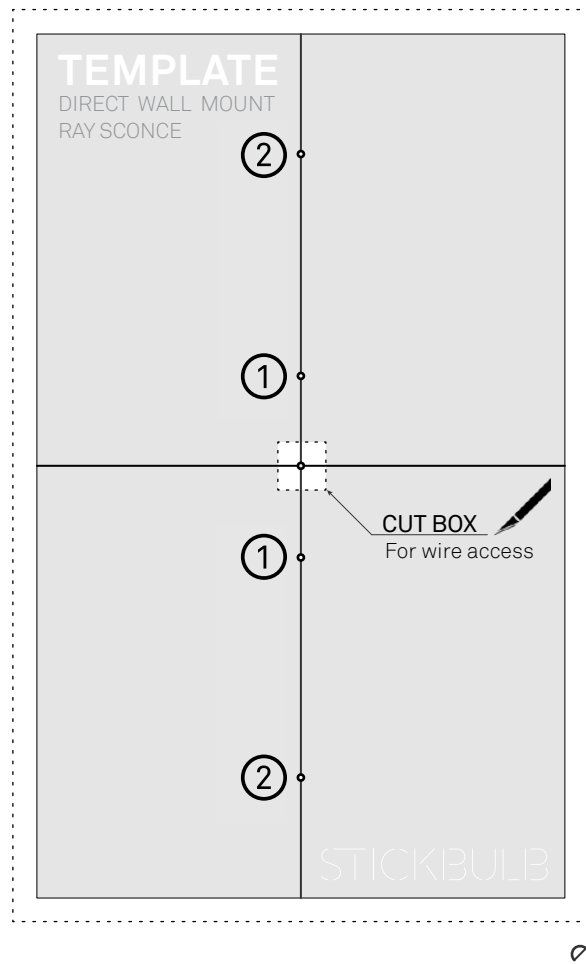


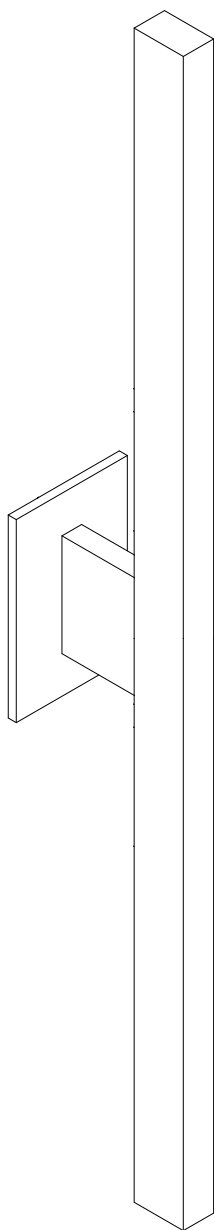
Vertical Orientation Installation



Horizontal Orientation Installation

### TEMPLATE CUT-OUT

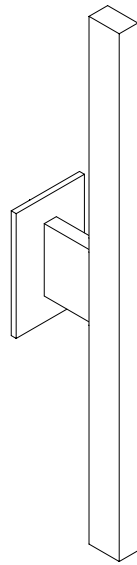




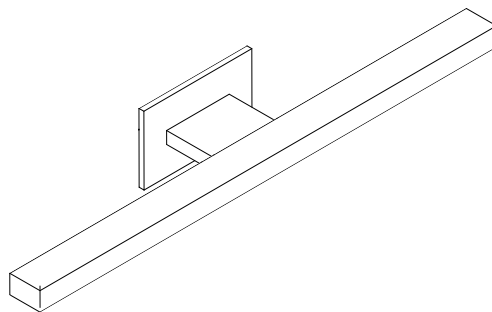
## RAY SCNCE

INSTALLATION INSTRUCTIONS

**REM DIRECT WALL MOUNTING (WITH PLATE)**



Vertical Orientation Installation



Horizontal Orientation Installation



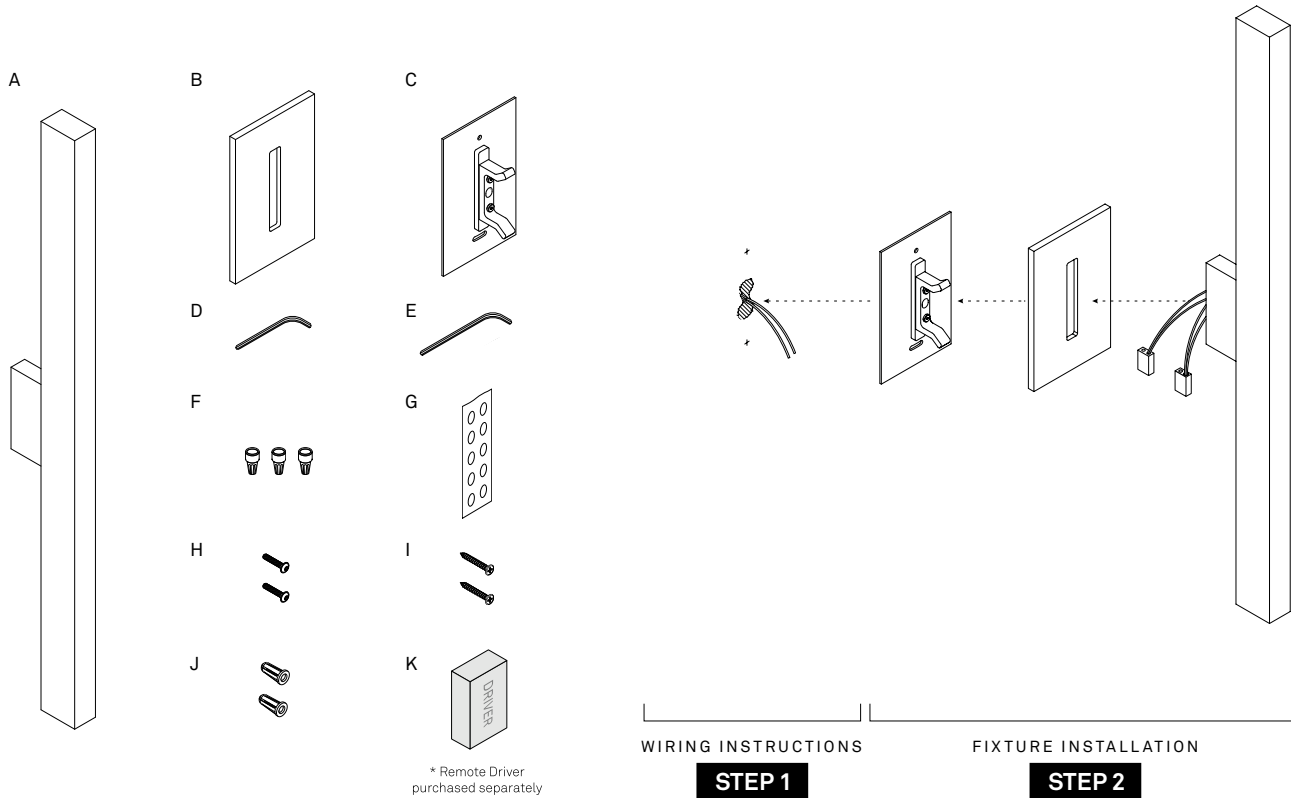
# INSTALLATION OVERVIEW

## COMPONENTS

- |                  |                       |                      |
|------------------|-----------------------|----------------------|
| A. Fixture       | E. Hex key-1/16"      | I. Drywall Screw × 2 |
| B. Plate         | F. Wire Nut × 3       | J. Wall anchor × 2   |
| C. Bracket       | G. Shim Stickers      | K. Remote Driver     |
| D. Hex key-5/64" | H. Mounting Screw × 2 |                      |

## INSTALLATION OVERVIEW

Illustration shows an overview of mounting a vertically-oriented Ray Sconce fixture to the wall with Plate. Installation steps are the same for horizontally-oriented fixture.



\* Remote Driver purchased separately

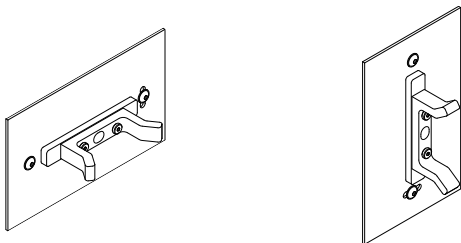
WIRING INSTRUCTIONS  
**STEP 1**

FIXTURE INSTALLATION  
**STEP 2**

\* For remote located driver application only

## FIXTURE ORIENTATION NOTE

The orientation of this Ray Sconce fixture is determined by the orientation of Bracket to be mounted onto the wall. For example, if Bracket is mounted horizontally, the fixture must be oriented horizontally.



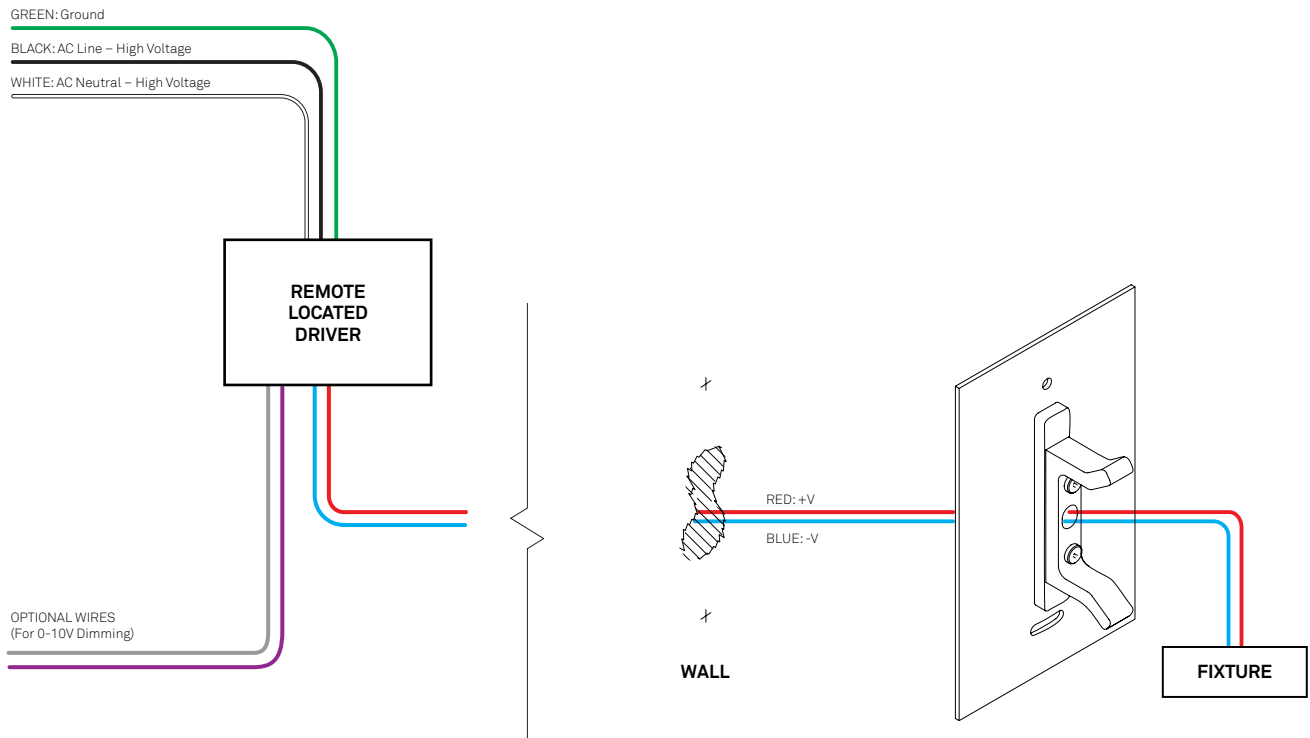
Bracket installed horizontally for horizontally oriented fixture

Bracket installed vertically for vertically oriented fixture

**STEP 1**

# WIRING INSTRUCTIONS

**CAUTION**  
Always make sure the building power is disconnected prior to making any connections. Installation should be done only by a certified electrician.

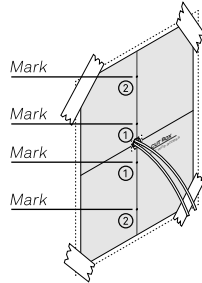
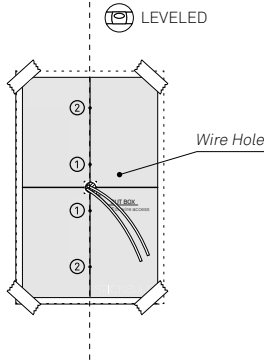


- 1.1** Verify Remote Located Driver (K) Installation  
Make sure the Remote Located Driver\* is installed correctly.

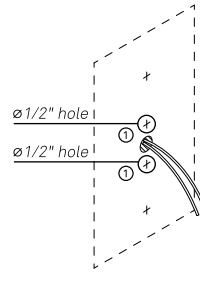
**STEP 2**

FIXTURE INSTALLATION

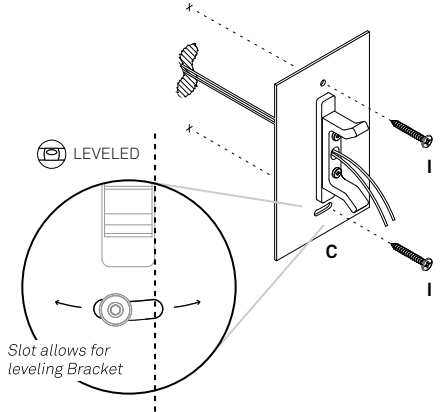
NOTE: Illustrations show steps for vertically-mounted fixture with Plate. Installation steps are the same for horizontally-oriented fixture.



2.2



2.3



2.4 Mount Bracket using the Drywall Screws (I)  
Fish wires through the center hole of Bracket and mount screws directly to the marked screw points 2

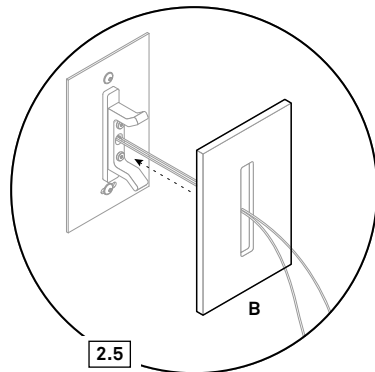
**Mount Bracket using Wall Anchors (J)**

If you are using Wall Anchors to mount, make sure they are flush to the wall to ensure Bracket sits flush to the wall. Use Mounting Screw (H) to mount Cleat.

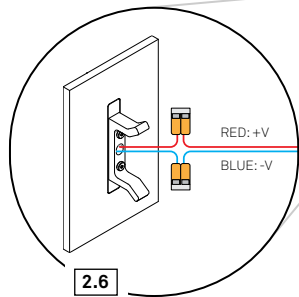
2.1 Level and tape the Template  
Go to Template on page 5 to get Template. Align the Wire Hole cut out on the Template to the Wire Hole on the wall. Level and tape the Template to the wall.

2.2 Mark 4 screw points (all 1 & 2) shown on the Template

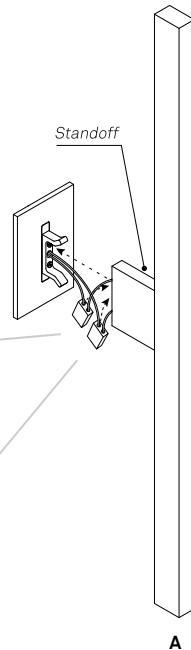
2.3 Remove Template and drill 1/2" size holes at screw points 1  
Drill 2 holes to create clearances for the 2 nuts on the backside of the Bracket.



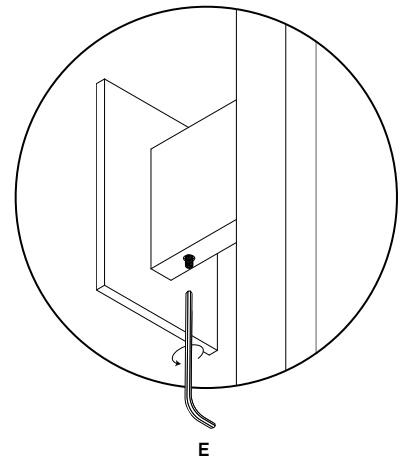
2.5



2.6



A



E

2.5 Slide Plate onto Bracket

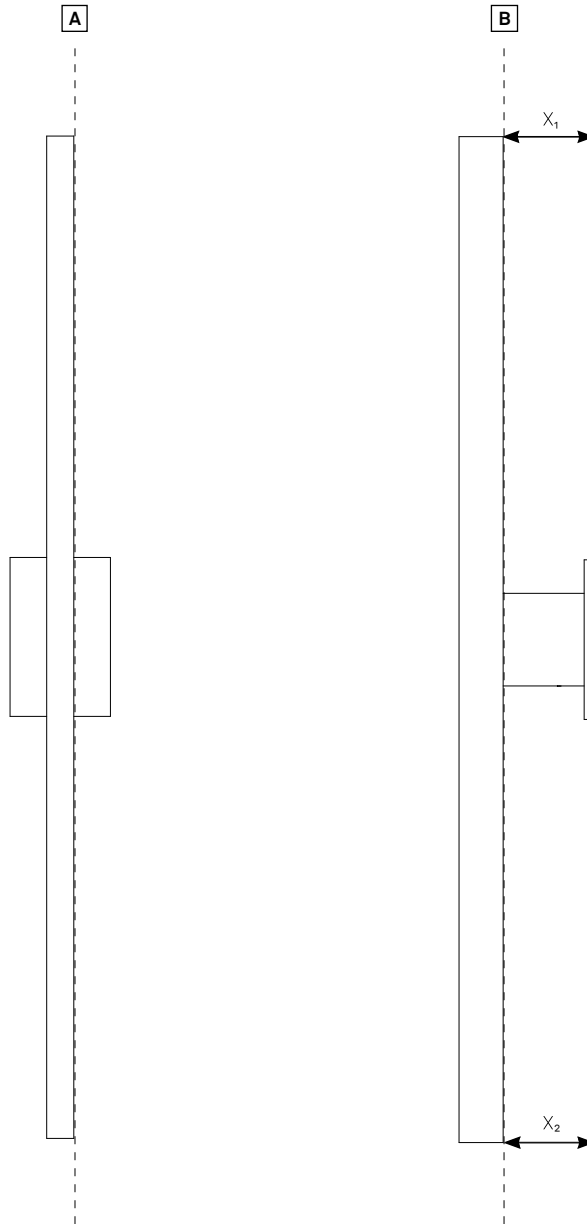
2.6 Connect the DC Wires using the Lever Nuts  
Use the provided Lever Nuts (pre-attached to the fixture) to make the DC connections. Match the red/blue wires coming from the fixture to the respective red/blue wires coming from the remote located Driver.

2.7 Slide the fixture onto Bracket  
Tuck the Lever Nuts and wires into Standoff while mounting the fixture onto Bracket. Adjust wires as necessary to ensure wires are not pinched inside the Standoff.

2.8 Tighten the Set Screw using Hex Key -1/16" (E) to lock the Fixture  
Go to Fixture Leveling on Page 4 for precise adjustments of the Ray Sconce.

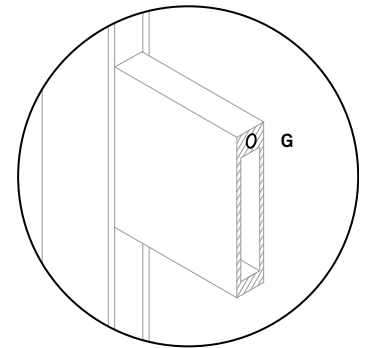
# FIXTURE LEVELING

NOTE: Illustrations show steps for vertically-mounted fixture with Plate. Installation steps are the same for horizontally-oriented fixture.

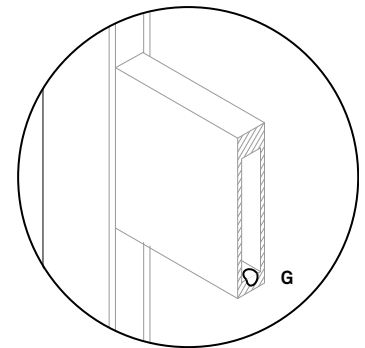


LEVELING TOLERANCE  
 $X_1 = X_2 \quad (\pm 0.1")$

**Increasing  $X_1$**   
Shim Stickers (G) are applied to the side of Standoff closer to  $X_1$ , thus adding distance to  $X_1$ .



**Increasing  $X_2$**   
Shim Stickers (G) are applied to the side of Standoff closer to  $X_2$ , thus adding distance to  $X_2$ .



## FRONT VIEW LEVELING

**A** Use your Leveling tool; lightly nudge the fixture until leveled.

## SIDE VIEW LEVELING

**B** Use your Measuring tool to equalize the 2 distances between the tips of the fixture to the wall ( $X_1$  &  $X_2$ ). Shim Stickers are provided (G); apply these onto the back of Standoff until leveled.

# TEMPLATE

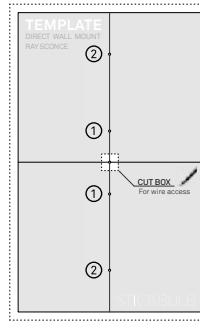
Use this Template according to the Installation Instructions from both **Direct Wall Mounting With Plate and No Plate.**

### ORIENTATION NOTE

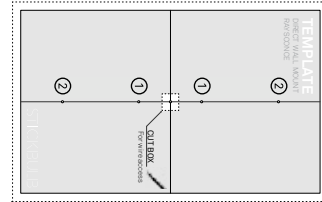
The orientation of the Template is determined by the orientation of Bracket/Cleat to be mounted onto the wall. For example, if you want fixture to be mounted horizontally, Template must be taped horizontally.

### PRINT SETTING

Print in proper ('Do Not Scale') scale.  
Do not set to 'Fit To Page' or 'Custom'.



Vertical Orientation Installation



Horizontal Orientation Installation

### TEMPLATE CUT-OUT

